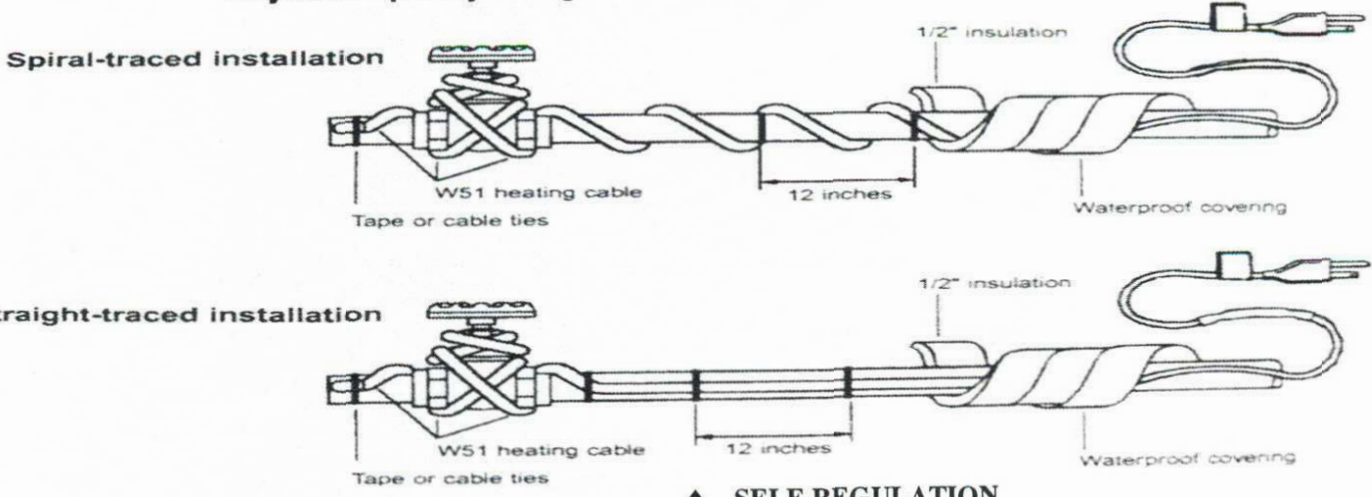


Heat Systems Technology

Raychem quality design mean superior heating systems



PRODUCT DATA

Guardian

W51-6P	W51-12P
W51-18P	W51-24P

Nominal service voltage:	120
Min. Power output at 40 degrees F:	5
Max. circuit length (ft):	n/a
Max circuit breaker size for	
- 40 degree F start-up (amps):	15
- 0 degree F start-up (amps)	15
Maximum exposure temp (F):	150

Use only in ordinary (nonhazardous) areas.
Do not expose to chemicals.

Approvals:**

UL System Listed (1,2)
CSA Certified (3)

- (1) 60J9 Residential & Mobile Home Pipe Heating Cable
- (2) 718K Pipe Heating Cable
- (3) CSA file LR21133

All information, including illustrations, is believed to be reliable. Users, however, should independently evaluate the suitability of each product for their application. Raychem makes no warranties as to the accuracy or completeness of the information and disclaims any liability regarding its use. Raychem's only obligations are those in the Raychem Standard Terms and Conditions of Sale of this product, and in no case will Raychem be liable for any incidental, indirect, or consequential damages arising from the sale, resale, use or misuse of this product. Specifications are subject to change without notice. Raychem reserves the right to make changes without notification to the buyer— to materials or processing that do not affect compliance with any applicable specification.

◆ SELF-REGULATION

The self-regulating design of HeatSystems heating cables eliminates worry about overheating or burnouts from overlapping. The conductive polymer core automatically adjusts heat output at each point along the pipe, with no need for thermostats.

◆ PARALLEL CIRCUITRY

Unlike conventional heating cables, Raychem heating cables feature parallel circuitry. This means you can cut it at any point along its length without interrupting the heating-cable circuit.

◆ PROVEN ADVANTAGES FOR YOU

Fast, easy to install. Thanks to their self-regulating, parallel-circuit design, HeatSystems heating cables require no complex installation procedures. They can be straight-traced, spiraled or overlapped. On the job, you can cut them to the exact length needed and splice or tee them, adapting each heating-cable circuit as the job requires.

Reliable performance. Because they're self-regulating, HeatSystems require no thermostats, so you're not bothered by breakdowns or callbacks.

Convenient and economical. For larger jobs, you can simply cut the exact amount of HeatSystems heating cable you need right from the reel.

Designed flexibility. Hardwire them or plug them in. With two options of power connections kits, the choice is yours. There is even a preassembled heating cable available in convenient lengths to handle small jobs fast.

Safe on plastic pipes. HeatSystems heating cables can be used on plastic and metal pipes. Their self-regulating heating core adjust automatically, to protect against overheating or developing hot spots when overlapped or covered with insulation.

Energy-efficient. The self-regulating core generates heat when and where it's needed. The core continuously adjust its heat output to the environment at every point along the cable.

Raychem Distributed by AquaSHIELD®