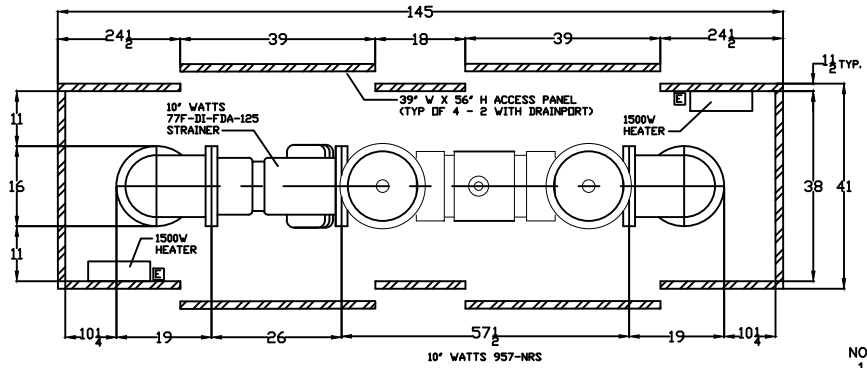
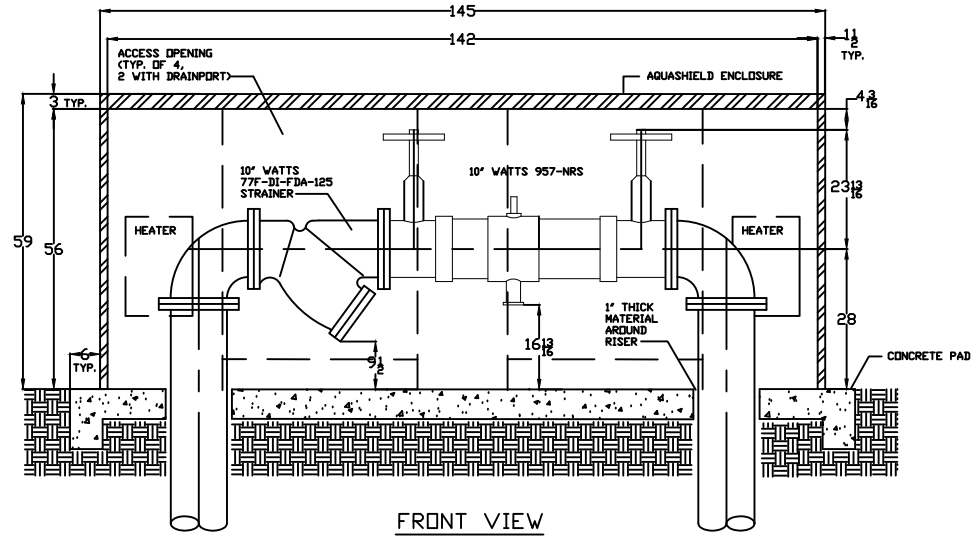


REVISIONS				
ZONE	REV	DESCRIPTION	DATE	APPROVED



PLAN VIEW

- NOTES:
- ENCLOSURE SELECTED: BFP8-NS.
 - INSIDE DIMENSIONS: 142" L X 38" W X 56" H.
 - OUTSIDE DIMENSIONS: 145" L X 41" W X 59" H.
 - SLAB DIMENSIONS: 157" L X 53" W X 6" THICK.



FRONT VIEW

CONTRACT NO:		10" WATTS 957-NRS/STRAINER		
DRAWN BY: S. THOMAS		AquaSHIELD ENCLOSURES		
CHECK BY:		1805 W. 37th Place North Little Rock, AR 72118		
APPR. BY:		T: 501-791-1800		
ISSUED BY:		C: 501-791-1801		
DATE DRAWN: 2/5/2020	SIZE: 10"	ENCL. NO: BFP8-NS	DWG NO: 10 WATTS 957-NRS-S (1)	REV
SCALE: 1:1		WEIGHT: 465	SHEET 1 OF 1	