

D

C

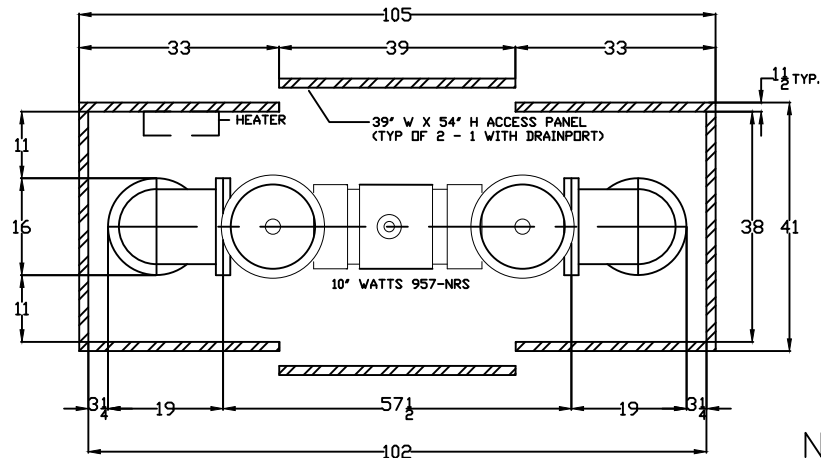
B

A

D

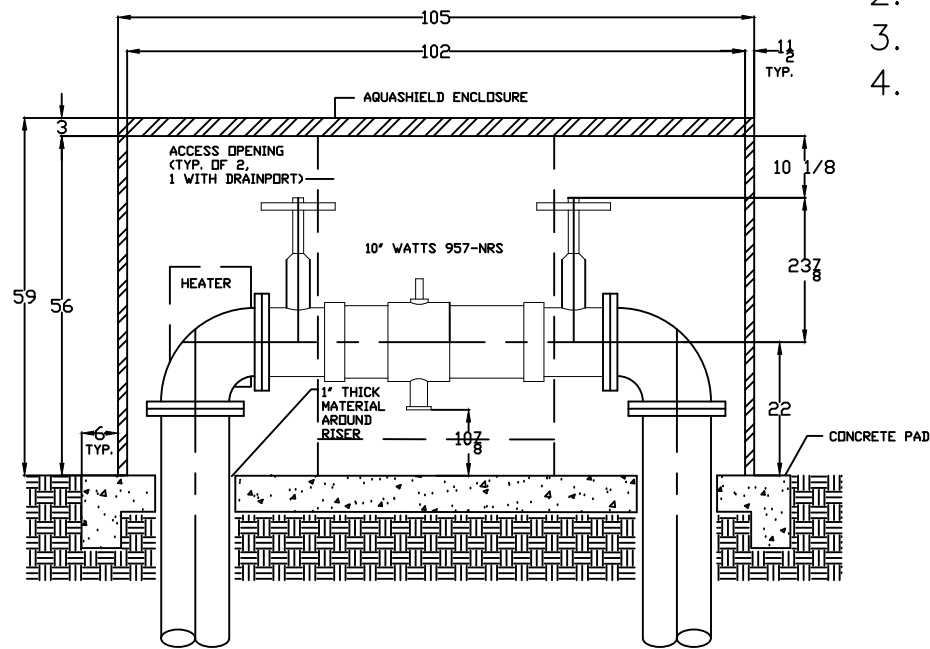
A

REVISIONS				
ZONE	REV	DESCRIPTION	DATE	APPROVED



NOTES:

- ENCLOSURE SELECTED: BFP6-N
- INSIDE DIMENSIONS: 102" L X 38" W X 56" H.
- OUTSIDE DIMENSIONS: 105" L X 41" W X 59" H.
- SLAB DIMENSIONS: 117" L X 53" W X 6" THICK.



CONTRACT NO:		10 WATTS 957-NRS		
DRAWN BY: S. THOMAS		AquaSHIELD ENCLOSURES		
CHECK BY:		1805 W. 37th Place		North Little Rock, AR 72118 T: 501-791-1800 C: 501-791-1801
APPR. BY:		10 WATTS 975-NRS (1)		
ISSUED BY:		SIZE	ENCL. NO	DWG NO
DATE DRAWN: 5/1/19		10"	BFP6-N	10 WATTS 975-NRS (1)
SCALE 1:1		WEIGHT 385		SHEET 1 OF 2

USER

REVDATE
FNAME