

D

C

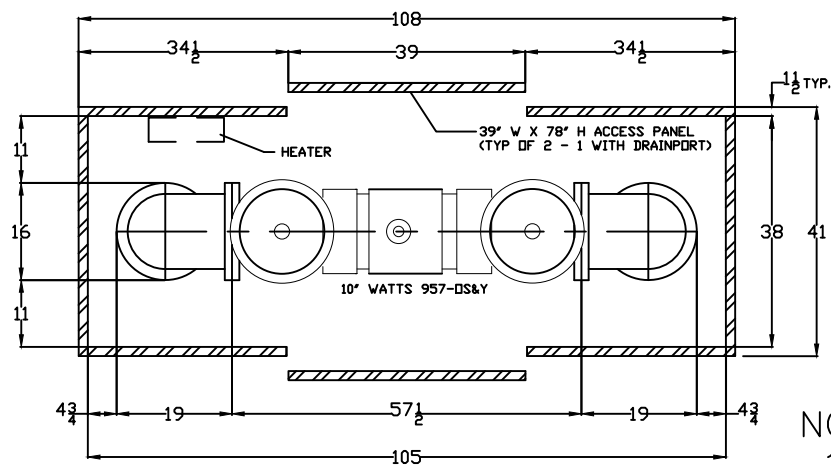
B

A

D

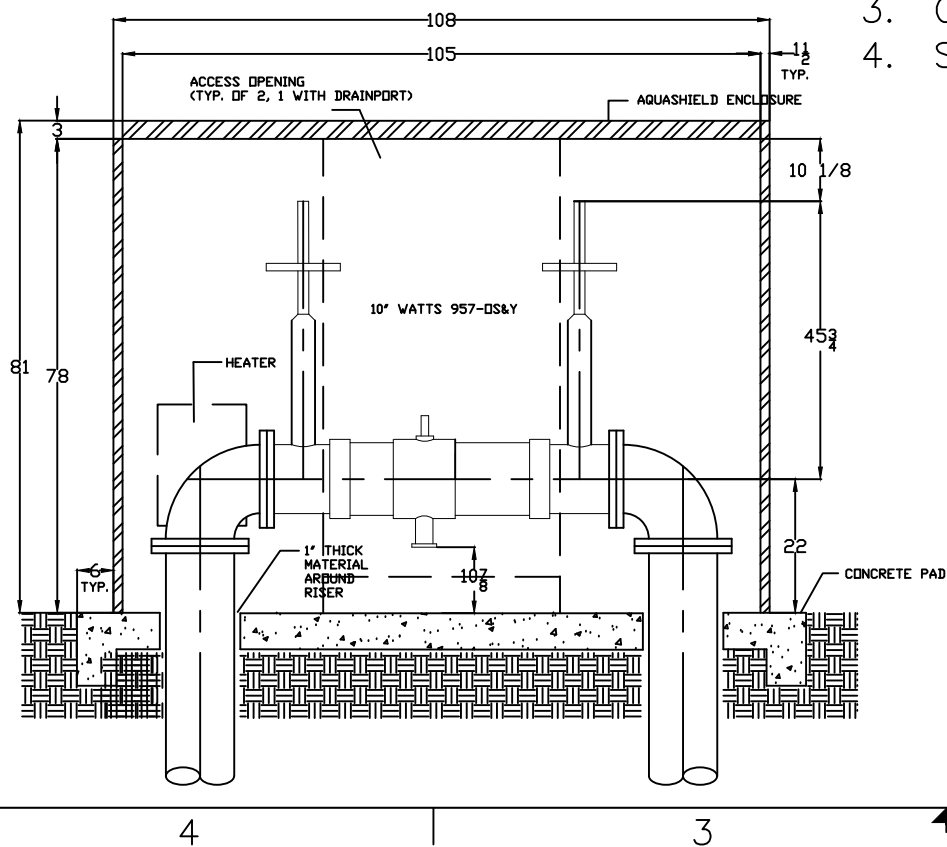
A

REVISIONS				
ZONE	REV	DESCRIPTION	DATE	APPROVED



NOTES:

1. ENCLOSURE SELECTED: BFP6-OT
2. INSIDE DIMENSIONS: 105" L X 40" W X 78" H.
3. OUTSIDE DIMENSIONS: 108" L X 43" W X 81" H.
4. SLAB DIMENSIONS: 120" L X 55" W X 6" THICK.



CONTRACT NO:		10 WATTS 957-OS&Y		
DRAWN BY: S. THOMAS		AquaSHIELD ENCLOSURES		
CHECK BY:		1805 W. 37th Place North Little Rock, AR 72118		
APPR. BY:		T: 501-791-1800 C: 501-791-1801		
ISSUED BY:		SIZE	ENCL. NO	DWG NO
DATE DRAWN: 6/1/19		10"	BFP6-OT	10 WATTS 957-OSY (1A)
SCALE 1:1		WEIGHT 425		SHEET 1 OF 2