

4

3

2

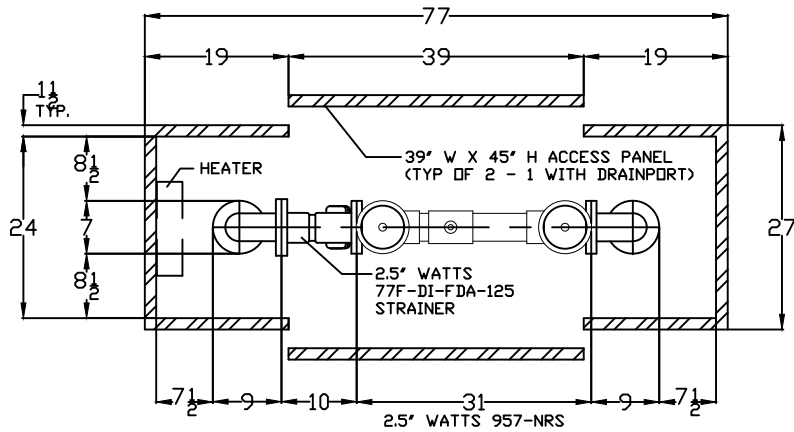
1

REVISIONS

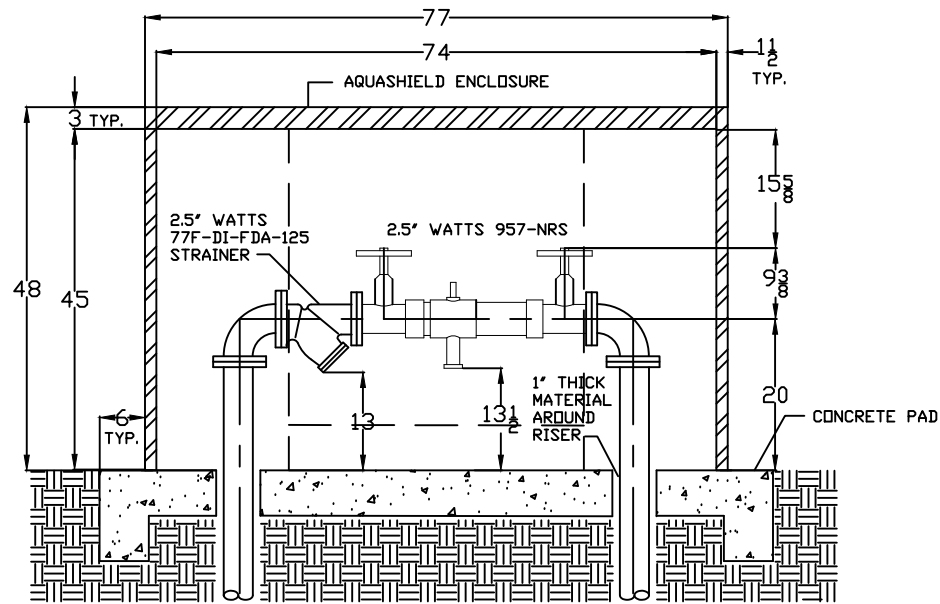
ZONE	REV	DESCRIPTION	DATE	APPROVED

NOTES:

- ENCLOSURE SELECTED: BFP3-N
- INSIDE DIMENSIONS: 74" L X 24" W X 45" H.
- OUTSIDE DIMENSIONS: 77" L X 27" W X 48" H.
- SLAB DIMENSIONS: 89" L X 39" W X 6" THICK.



PLAN VIEW



FRONT VIEW

CONTRACT NO:		2.5" WATTS 957-NRS/STRAINER			
DRAWN BY: S. THOMAS		AquaSHIELD ENCLOSURES 1805 W. 37th Place North Little Rock, AR 72118 T: 501-791-1800 C: 501-791-1801			
CHECK BY:					
APPR. BY:		SIZE	ENCL. NO	DWG NO	REV
ISSUED BY:		2.5"	BFP3-NS	2.5 WATTS 957-NRS-S (1)	
DATE DRAWN: 2/4/2020		SCALE 1:1	WEIGHT 215	SHEET 1 OF 1	