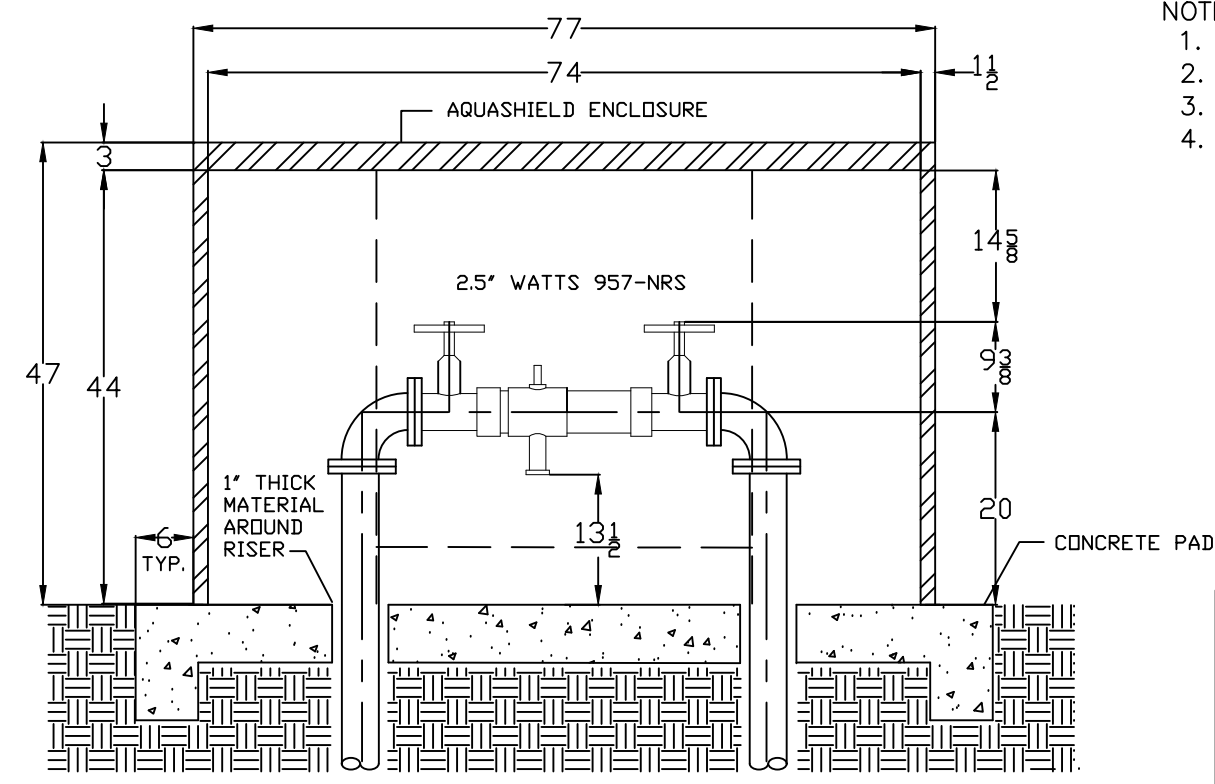
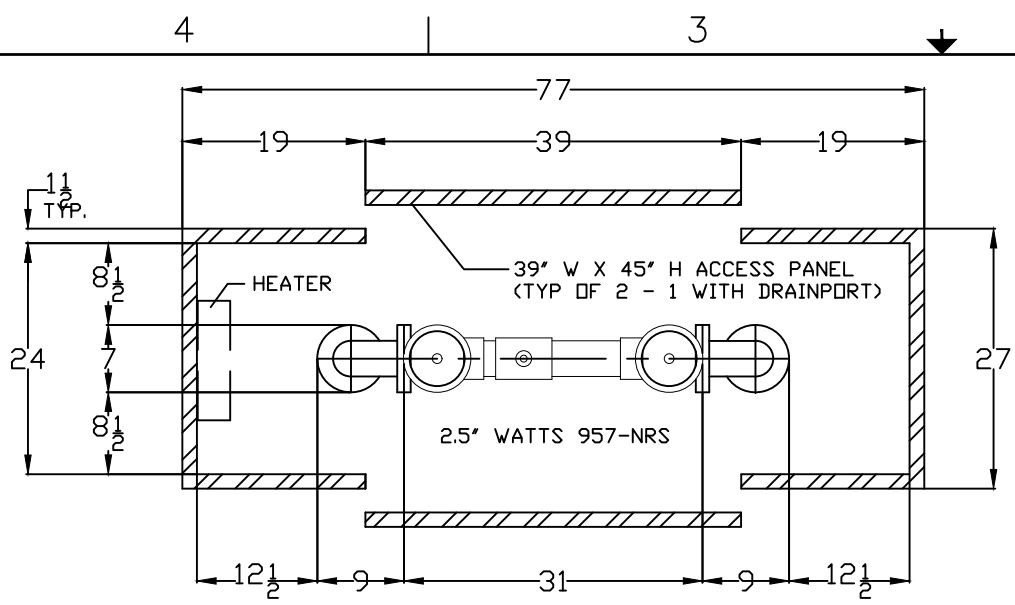


REVISIONS				
ZONE	REV	DESCRIPTION	DATE	APPROVED



- NOTES:
- ENCLOSURE SELECTED: BFP3-N
 - INSIDE DIMENSIONS: 74" L X 24" W X 44" H.
 - OUTSIDE DIMENSIONS: 77" L X 27" W X 47" H.
 - SLAB DIMENSIONS: 89" L X 39" W X 6" THICK.

CONTRACT NO:		2.5 WATTS 957-NRS			
DRAWN BY: S. THOMAS		AquaSHIELD ENCLOSURES			
CHECK BY:		1805 W. 37th Place		A	
APPR. BY:		North Little Rock, AR 72118			
ISSUED BY:		T: 501-791-1800			
DATE DRAWN: 4/2/19		SIZE	ENCL. NO	DWG NO	REV
		2.5" BFP3-N		2.5 WATTS 975-NRS (1)	
		SCALE 1:1	WEIGHT 185	SHEET 1 OF 2	