

D

C

B

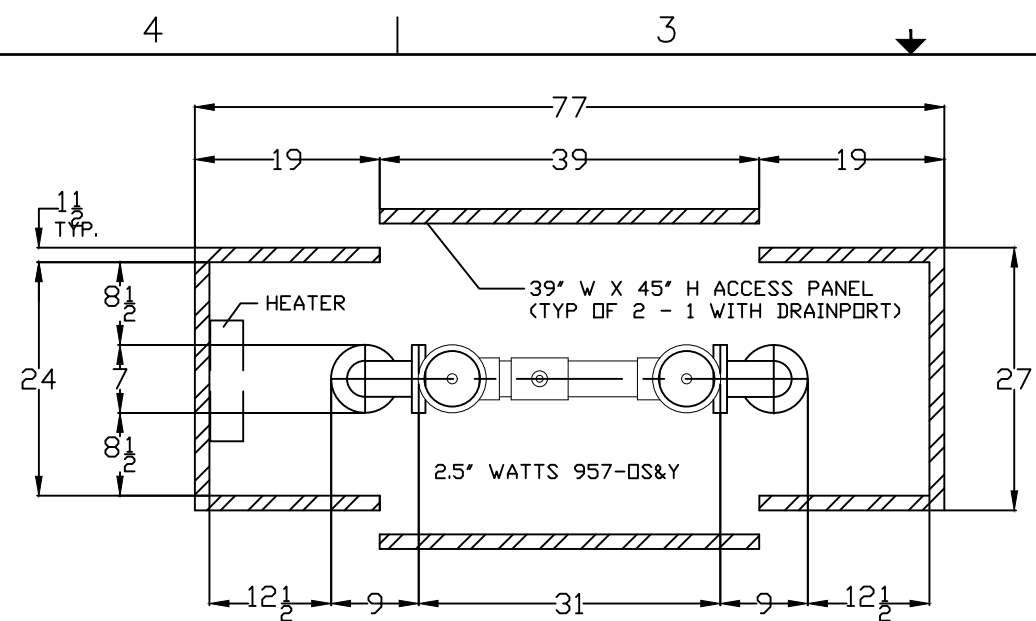
A

USER

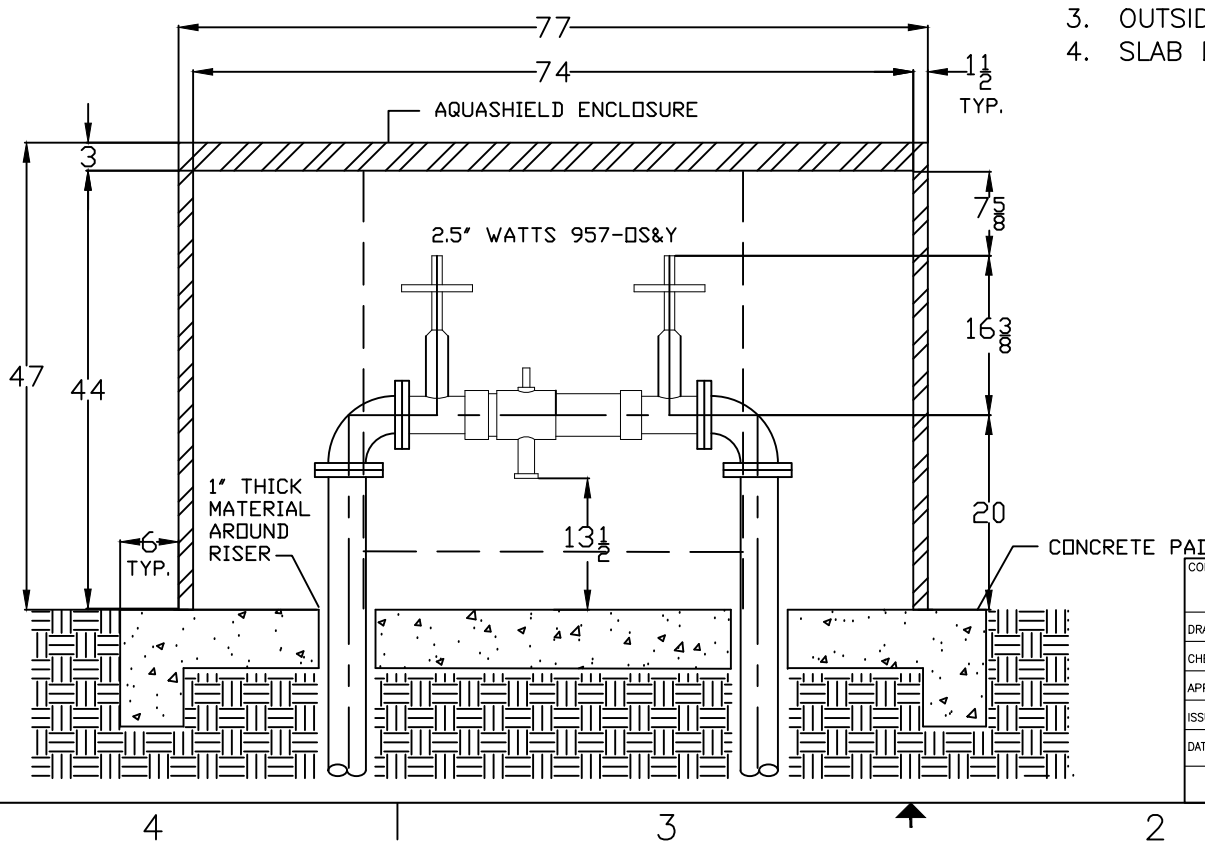
REVISIONS				
ZONE	REV	DESCRIPTION	DATE	APPROVED

D

A



- NOTES:
- ENCLOSURE SELECTED: BFP3-N
 - INSIDE DIMENSIONS: 74" L X 24" W X 44" H.
 - OUTSIDE DIMENSIONS: 77" L X 27" W X 47" H.
 - SLAB DIMENSIONS: 89" L X 39" W X 6" THICK.



CONTRACT NO:		2.5 WATTS 957-OS&Y		
DRAWN BY: S. THOMAS		AquaSHIELD ENCLOSURES		
CHECK BY:		1805 W. 37th Place North Little Rock, AR 72118		REV
APPR. BY:		T: 501-791-1800 C: 501-791-1801		
ISSUED BY:		SIZE	ENCL. NO	DWG NO
DATE DRAWN: 4/4/19		2.5" BFP3-N		2.5 WATTS 975-OSY (1)
SCALE 1:1		WEIGHT 185		SHEET 1 OF 2