

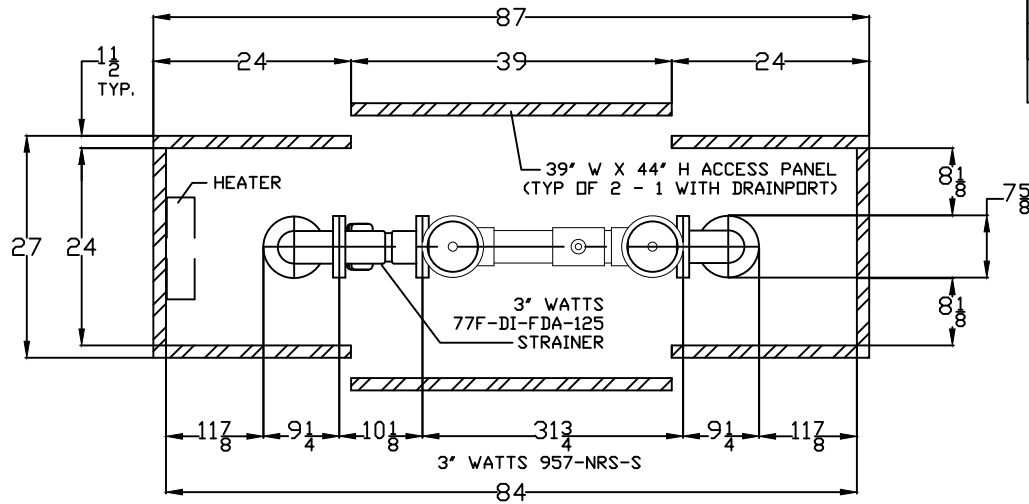
4

3

2

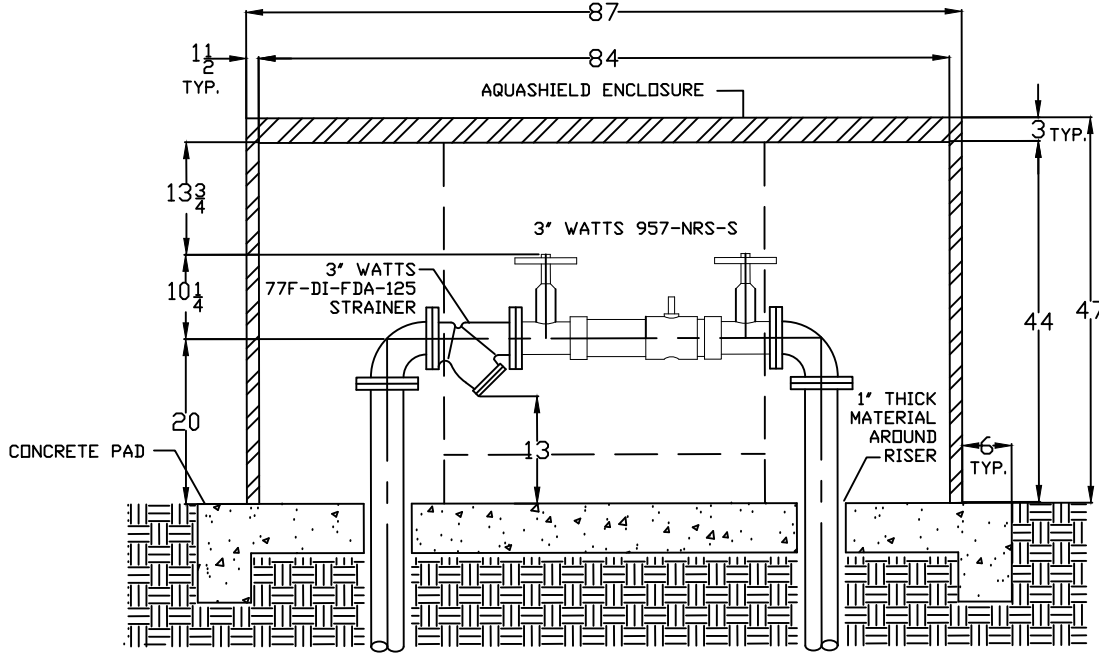
1

REVISIONS				
ZONE	REV	DESCRIPTION	DATE	APPROVED
	1	COMBINED TWO DRAWINGS INTO ONE. BY: S. THOMAS	2/5/2020	



NOTES:

- ENCLOSURE SELECTED: BFP3-NS
- INSIDE DIMENSIONS: 84" L X 24" W X 44" H.
- OUTSIDE DIMENSIONS: 87" L X 27" W X 47" H.
- SLAB DIMENSIONS: 99" L X 39" W X 6" THICK.



CONTRACT NO:		3" WATTS 957-NRS/STRAINER		
DRAWN BY: S. THOMAS		AquaSHIELD ENCLOSURES		1805 W. 37th Place North Little Rock, AR 72118 T: 501-791-1800 C: 501-791-1801
CHECK BY:				
APPR. BY:				
ISSUED BY:				
DATE DRAWN: 11/14/19	SIZE: 3"	ENCL. NO: BFP3-NS	DWG NO: 3 WATTS 957-NRS-S (1)	REV: 1
SCALE: 1:1		WEIGHT: 215	SHEET 1 OF 1	

4

3

2

1