

4

3

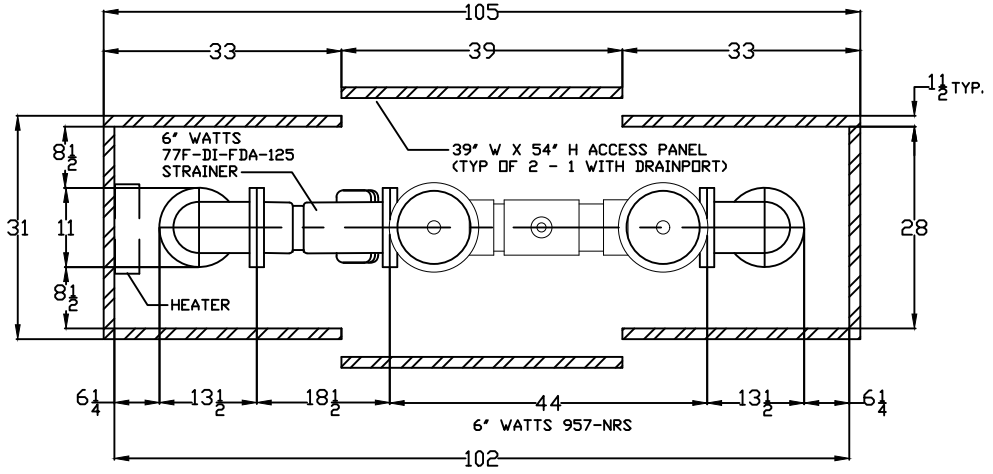
2

1

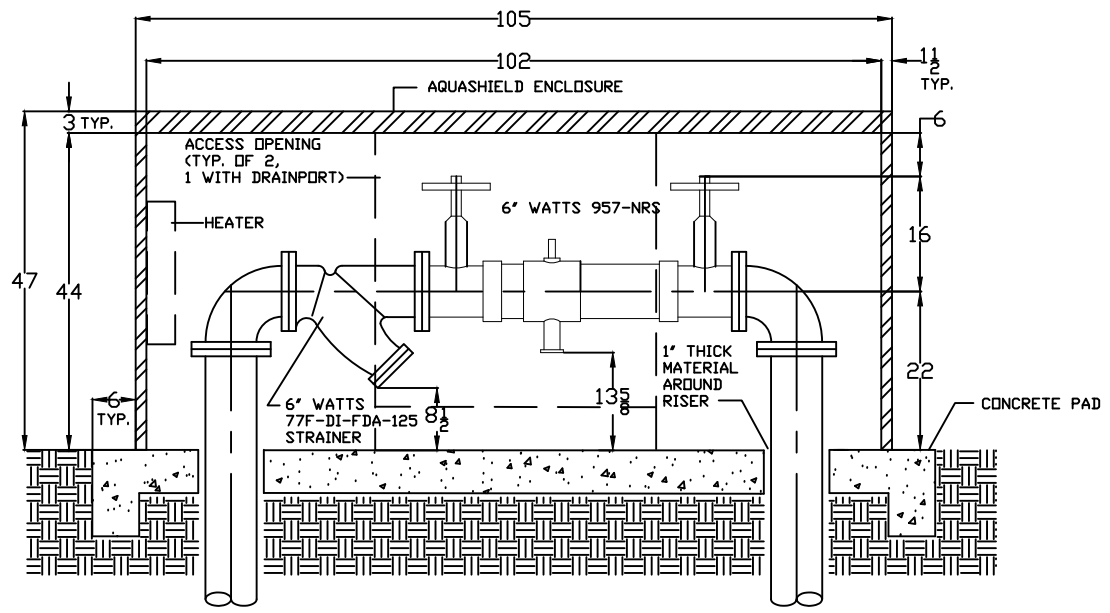
NOTES:

- 1. ENCLOSURE SELECTED: BFP4-NS
- 2. INSIDE DIMENSIONS: 102" L X 28" W X 44" H.
- 3. OUTSIDE DIMENSIONS: 105" L X 31" W X 47" H.
- 4. SLAB DIMENSIONS: 117" L X 43" W X 6" THICK.

| REVISIONS | | | | |
|-----------|-----|-------------|------|----------|
| ZONE | REV | DESCRIPTION | DATE | APPROVED |
| | | | | |
| | | | | |



PLAN VIEW



FRONT VIEW

| | | | | |
|----------------------|--|--|------------|---|
| CONTRACT NO: | | 6" WATTS 957-NRS/STRAINER | | |
| DRAWN BY: S. THOMAS | | AquaSHIELD ENCLOSURES | | 1805 W. 37th Place North Little Rock, AR 72118 T: 501-791-1800 C: 501-791-1801 |
| CHECK BY: | | | | |
| APPR. BY: | | | | |
| ISSUED BY: | | SIZE ENCL. NO DWG NO 6" BFP4-NS 6 WATTS 957-NRS-S (1) | | |
| DATE DRAWN: 2/4/2020 | | SCALE 1:1 | WEIGHT 385 | SHEET 1 OF 1 |

4

3

2

1