

D

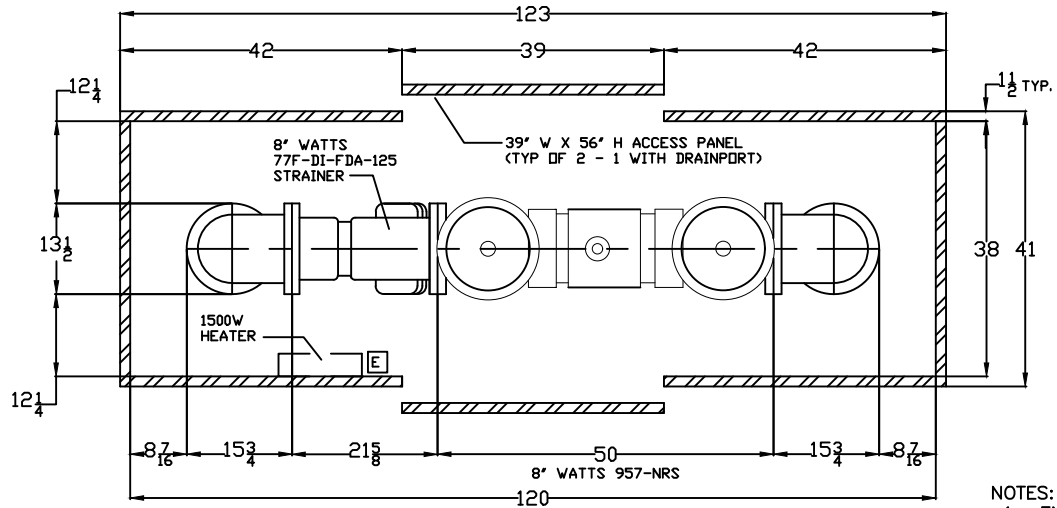
C

B

A

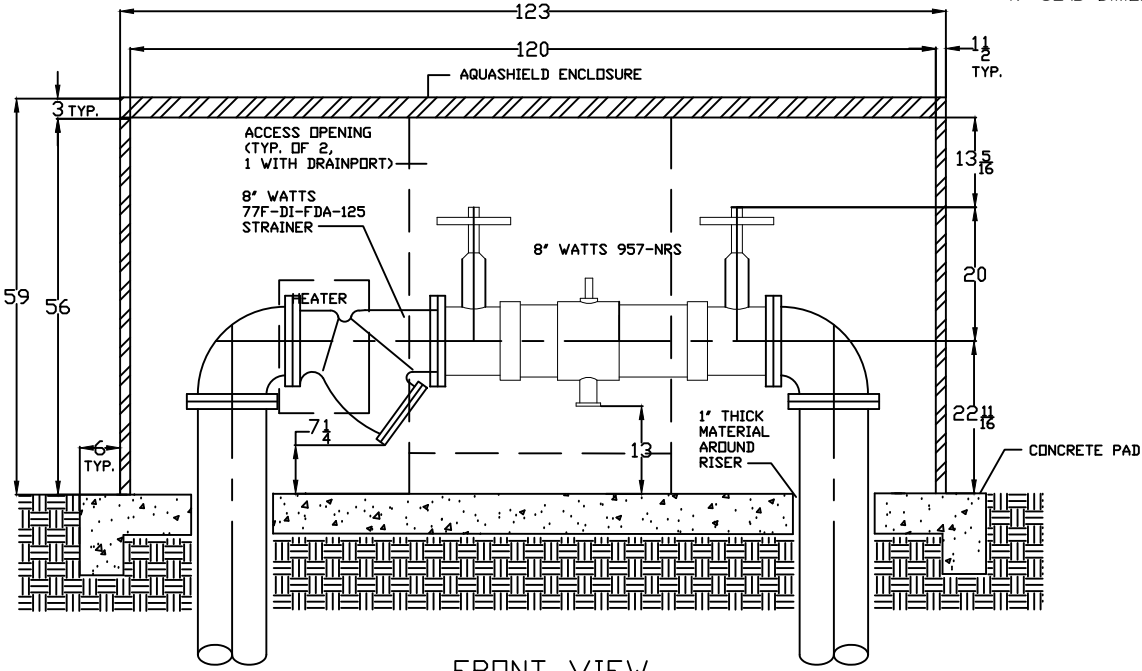
USER

REVISIONS				
ZONE	REV	DESCRIPTION	DATE	APPROVED



PLAN VIEW

- NOTES:
1. ENCLOSURE SELECTED: BFP6-NS
 2. INSIDE DIMENSIONS: 120" L X 38" W X 56" H.
 3. OUTSIDE DIMENSIONS: 123" L X 41" W X 59" H.
 4. SLAB DIMENSIONS: 135" L X 53" W X 6" THICK.



FRONT VIEW

CONTRACT NO:		8" WATTS 957-NRS/STRAINER		
DRAWN BY: S. THOMAS		AquaSHIELD ENCLOSURES		1805 W.. 37th Place North Little Rock, AR 72118 T: 501-791-1800 C: 501-791-1801
CHECK BY:				
APPR. BY:		SIZE ENCL. NO DWG NO		REV
ISSUED BY:		8" BFP6-NS 8 WATTS 957-NRS-S (1)		
DATE DRAWN: 2/5/2020		SCALE 1:1		WEIGHT 430 SHEET 1 OF 1

D

A