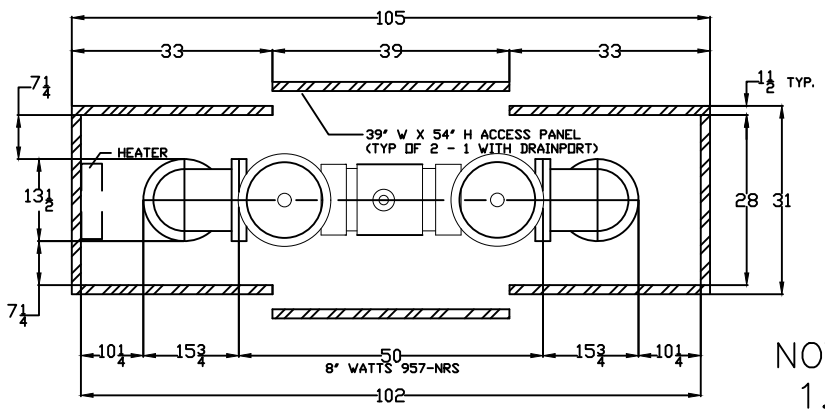
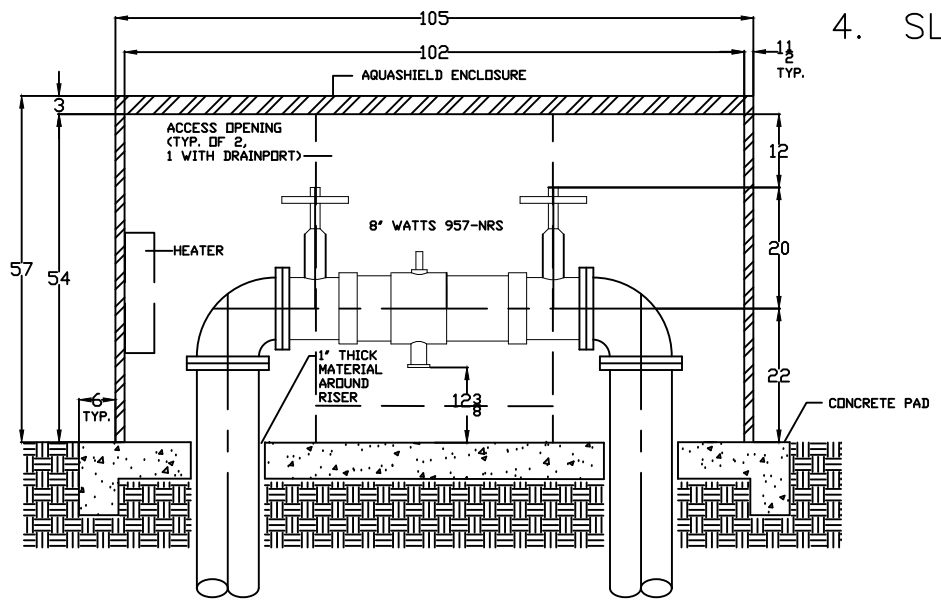


| REVISIONS | | | | |
|-----------|-----|-------------|------|----------|
| ZONE | REV | DESCRIPTION | DATE | APPROVED |
| | | | | |
| | | | | |



NOTES:

1. ENCLOSURE SELECTED: BFP4-OS
2. INSIDE DIMENSIONS: 102" L X 28" W X 54" H.
3. OUTSIDE DIMENSIONS: 105" L X 31" W X 57" H.
4. SLAB DIMENSIONS: 117" L X 43" W X 6" THICK.



| | | | | |
|---------------------|----------|-----------------------------------------------------------------------------------------|-----------------------------|--------------|
| CONTRACT NO: | | 8 WATTS 957-NRS | | |
| DRAWN BY: S. THOMAS | | 1805 W. 37th Place North Little Rock, AR 72118 T: 501-791-1800 C: 501-791-1801 | | |
| CHECK BY: | | AquaSHIELD ENCLOSURES | | |
| APPR. BY: | | | | |
| ISSUED BY: | | | | |
| DATE DRAWN: 5/1/19 | SIZE: 8" | ENCL. NO: BFP4-OS | DWG NO: 8 WATTS 975-NRS (1) | REV: |
| SCALE: 1:1 | | WEIGHT: 450 | | SHEET 1 OF 2 |