

AquaSHIELD®

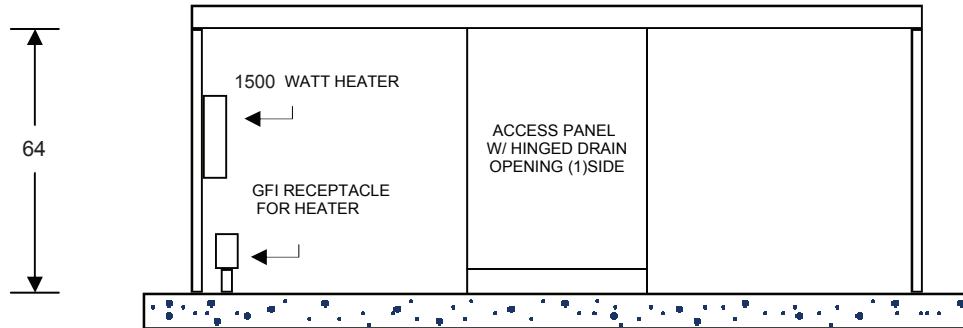
PROTECTIVE ENCLOSURES

1805 WEST 37TH PLACE
NO. LITTLE ROCK, AR 72118
501-791-1800 501-791-1801 FAX
www.aquashieldenclosures.com

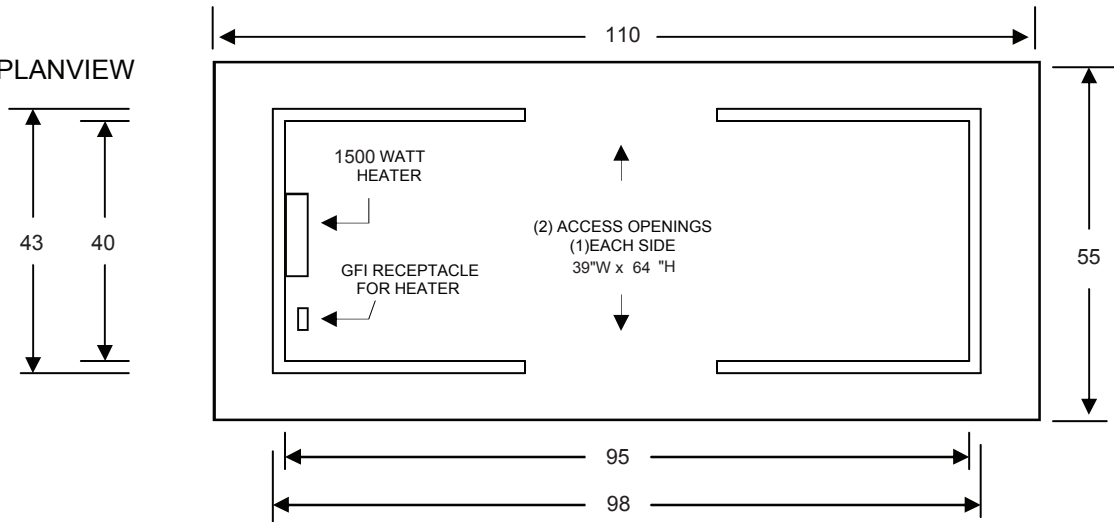
Enclosure Model #	BFP4-OT
Inside Dimensions:	95 "L x 40 "W x 64 "H
Outside Dimensions:	98 "L x 43 "W x 66 "H
Recommended Pad Size:	110 "L x 55 "W x 6 "H
Wall Thickness:	1.5"
Roof Thickness:	3"
Heat if Required:	1500 W/120V/1PH Heater

AquaSHIELD suggests power source for heat be a designated circuit with GFI Receptacle

ELEVATION VIEW



PLANVIEW



JOB:

DRAWN BY: WH
SCALE: NONE
DATE: 12/10/18

Drawing: NOT TO SCALE
CONFIDENTIAL: This drawing is intended for use only by those authorized to receive it.
Dissemination, distribution, or copy of the information is strictly prohibited