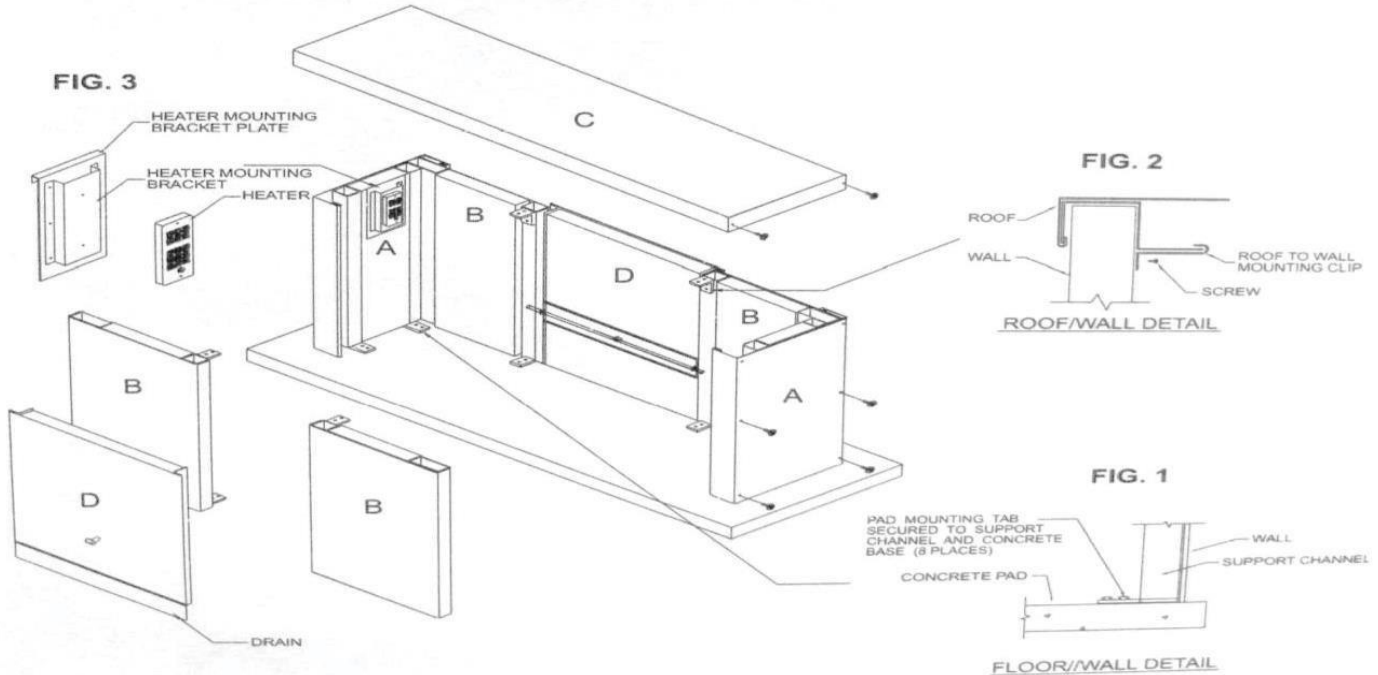


AquaSHIELD®

PROTECTIVE ENCLOSURES

INSTALLATION INSTRUCTIONS

SERIES: BFP3, BFP4, BFP6, BFP8



ENCLOSURE ASSEMBLY INSTRUCTIONS

1. Provide a concrete mounting pad according to the “Mounting Pad Preparation” sheet. Using the BFP as centerline, mark the outside dimensions of the enclosure on the concrete pad.
2. Assemble end wall panel (A) and side wall panels (B) by sliding side walls into end wall and secure with self-tapping screws through holes provided in (A) panel. **Note: Pad mounting tabs on panels must be down for securing to pad.** Repeat with remaining (A) & (B) panels. Set assembled sections on marked pad centered around BFP device.
3. Set roof panel (C) on assembled sections and fasten with self-tapping screws through holes provided at end of roof panel as shown.
4. **To insure proper fit of access panels, verify that the door openings have the same dimensions across the top and bottom and the walls are plumb.** Secure enclosure to pad with masonry anchors provided. (FIG.1)
5. Attach the “**roof to wall mounting clip**” to roof and secure to support channels of (B) panels on each side of access openings.(FIG.2)
6. If heater is provided, attach heater to “**heater mounting bracket**” located on end wall panel by using self-tapping screws through back of heater box. (FIG.3) **Note: Provide ground GFI receptacle and Follow all governing electrical codes and regulations.**
7. Set access doors in place and lock.
8. Remove the protective plastic film from the enclosure. **Note: Failure to remove plastic from panels will cause damaged to the exterior finish of the enclosure**