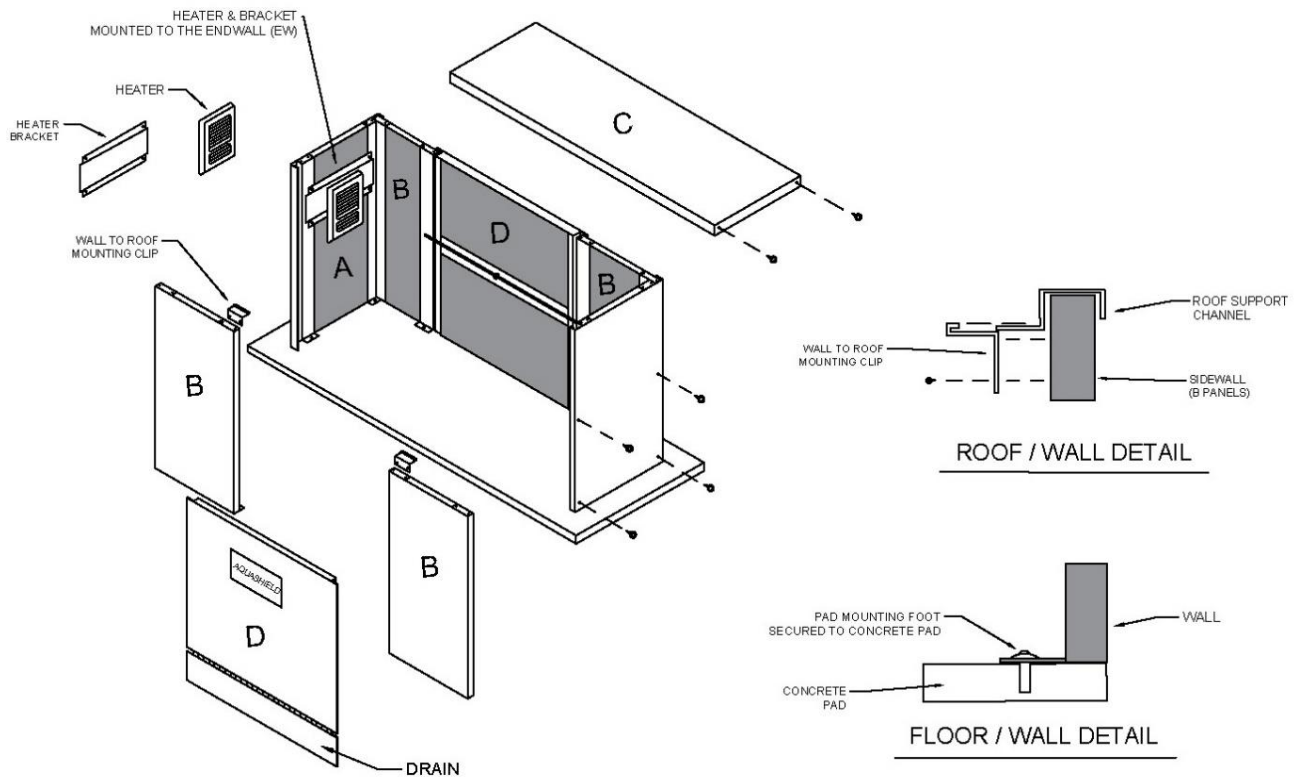


# AquaSHIELD®

PROTECTIVE ENCLOSURES

## INSTALLATION INSTRUCTIONS SERIES: BFP3, BFP4, BFP6, BFP8



### **ENCLOSURE ASSEMBLY INSTRUCTIONS**

1. Provide a 6" thick concrete mounting pad that measures 15" longer and 15" wider than the inside dimensions of the enclosure. Using the BFP as centerline, mark the outside dimensions (3" more than the inside dimensions) of the enclosure on the concrete pad.
2. Assemble end wall panel (A) and side wall panels (B) by sliding side walls into end wall and secure with self-tapping screws through holes provided in (A) panel. **Note: Pad mounting tabs on panels must be down for securing to pad.** Repeat with remaining (A) & (B) panels. Set assembled sections on marked pad centered around BFP devise.
3. Set roof panel (C) on assembled sections and fasten with self-tapping screws through holes provided at end of roof panel as shown.
4. **To insure proper fit of access panels (D), verify that the door openings measure 39" across the top and bottom and the walls are plumb.** Secure enclosure to pad with masonry anchors provided. (Floor/Wall Detail)
5. Attach the "wall to roof mounting clip" to roof and secure to support channels of (B) panels on each side of access openings. (Roof/Wall Detail)
6. If heater is provided, attach heater to "heater mounting bracket" located on end wall panel by using self-tapping screws through back of heater box. **Note: Provide ground GFI receptacle and Follow all governing electrical codes and regulations.**
7. Set access doors in place and lock.
8. Remove the protective plastic film from the enclosure. **Note: Failure to remove plastic from panels will cause damaged to the exterior finish of the enclosure**